

# HS3-SFE

# Filter Housing

Sanitary, T-style, Single Cartridge, 316L Stainless Steel

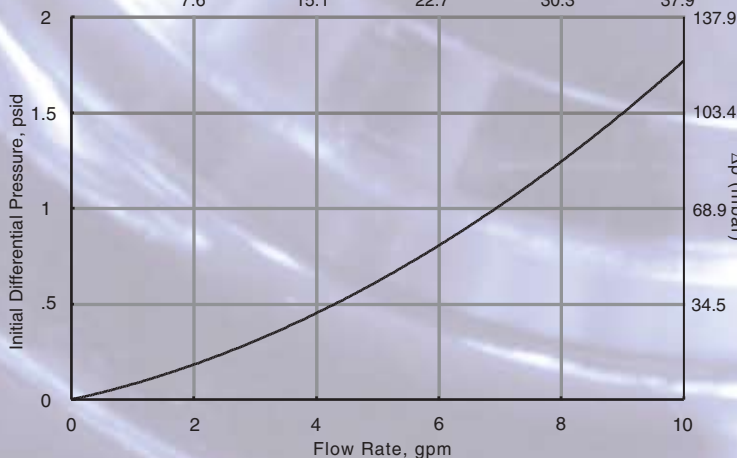
This versatile, sanitary design filter housing is used for the clarification, sterilization, or high-purity filtration of liquids and gases. The housing provides high reliability and security for continuous or point-of-use service, as well as for small batch processing applications.

## Design Features

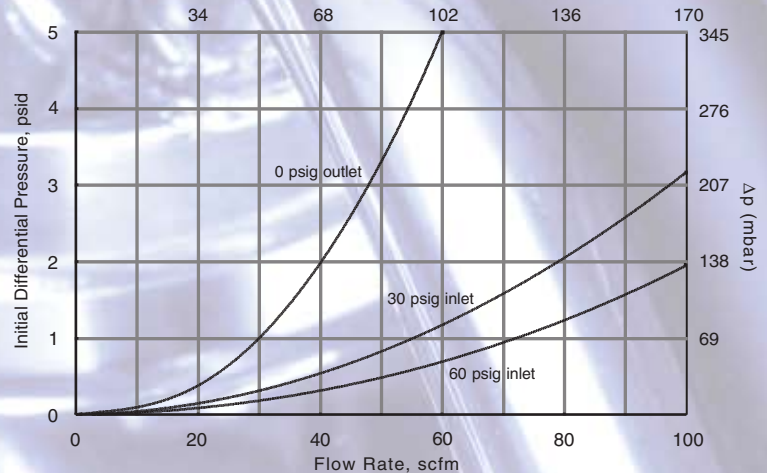
- Accepts one 2.5" or 5" length cartridge filter of 2.25" outer diameter
- Flow rates to 5 gpm for liquids, or 70 scfm for gases
- Electropolished 316L stainless steel construction gives maximum durability and corrosion resistance
- Quick-release clamp closure allows easy disassembly and fast cartridge filter replacement
- Effective in critical sanitary or high purity service applications
- Extremely low hold-up volume for high recovery of valuable liquids
- Smooth, ultraclean surface finish enhances cleanability
- True sanitary design prevents entrapment and build-up of contaminants
- T-type flow configuration with inlet and outlet on the same centerline
- Thermal jacketed bowl available for steam or coolant circulation
- Sanitary vent and drain valves permit easy venting, draining, sampling or integrity testing operations



**Water Flow Rates\***  
L min<sup>-1</sup>



**Air Flow Rates\***  
Nm<sup>3</sup>hr<sup>-1</sup>



\*Graphs are valid for 2.5" and 5" housings

## Specifications

### Materials of Construction

Head & Bowl: 316L stainless steel  
 Cast Clamp: 304 stainless steel  
 Closure O-ring: Silicone standard\*  
 Valve Seal Tip: Teflon®  
 Valve O-ring: Silicone standard\*  
 \*Buna, EPR, Viton® and Teflon® optional

### Surface Finish

Wetted surfaces are polished to ≤ 25-µin Ra finish. Exterior surfaces are polished to buffed-mirror finish. All surfaces are electropolished.

### Service Ratings

Liquid: 250 psig at 70°F (17 bar @ 21°C)  
 Air/gas: 125 psig at 70°F (9 bar @ 21°C)

### Connections

Inlet/Outlet: 1" sanitary flange (SF)  
 Jacket Ports: 1/4" NPT or 1/2" SF  
 Vent/Drain Valve: 1/4" hose barb standard

### Cartridge Length (Nominal)

2.5" or 5" (63.5 mm or 127 mm)

### Cartridge Connections

Accepts single-open-ended (SOE) cartridge filter having a 2.25" outer diameter and fitted with an internal, -116 O-ring style adapter. The

cartridge filter is secured in place when the housing is fully assembled.

### Sterilization

The housing can be inline steam sterilized, autoclaved or hot water sanitized.

### Mounting

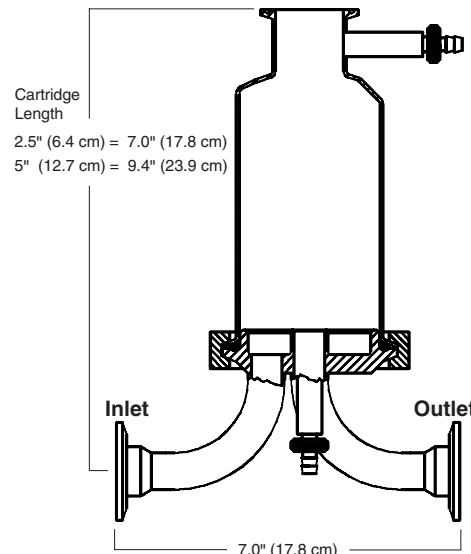
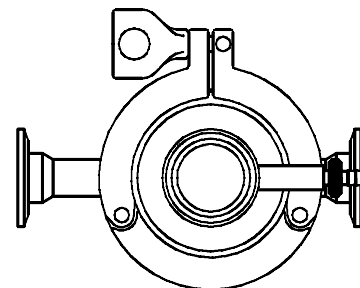
The housing can be mounted and supported on suitably braced, rigid pipe connections.

### Options

In addition to our standard housings, Meissner Filtration Products, Inc. designs and manufactures specially engineered filter housings to meet unique design or process requirements. Variations include, but are not limited to: custom surface finishes to 10-µin Ra, custom connections such as RF flange or other special fittings, custom vent and drain placements, as well as gauge ports. If you need a housing with a unique combination of features, Meissner will custom engineer it to meet your specific requirements. Contact us for more details.

### Safety

Each Meissner housing is individually inspected, tested and serialized to ensure the highest quality and safety.



## Ordering Information

HS3

Closure	Thermal Jacket Option	Element Length	Vent/Drain Option	Inlet/Outlet Option	Closure O-ring
<b>D</b>	—	<b>5P</b>	—	<b>SF</b>	<b>S</b>
<b>D</b> = Standard-Cast Clamp <b>E</b> = High Pressure Bolted Clamp	— = Standard-No Jacket <b>1</b> = Jacket w/ 1/4" NPT Ports-180° <b>2</b> = Jacket w/ 1/4" NPT Ports-360°	<b>2P</b> = 2.5" <b>5P</b> = 5"	— = Standard-Vent & Drain <b>0</b> = No Vent/Drain <b>3</b> = 1/2" SF Vent & Drain	<i>Sanitary Flange:</i> <b>SE</b> = 3/4" <b>SF</b> = 1" <i>Tube Butt-Weld:</i> <b>BE</b> = 3/4" <b>BF</b> = 1" <i>150# RF Flange:</i> <b>FD</b> = 1/2" <b>FF</b> = 1"	<b>S</b> = Silicone <b>B</b> = Buna <b>E</b> = EPR <b>T</b> = Teflon® over Silicone <b>X</b> = Teflon® over Viton® <b>V</b> = Viton®

Replacement Parts & Accessories	Part Number	(cont'd)	Part Number
Closure O-ring - Silicone	420S-335	Valve Seal Kits:	
Closure O-ring - Buna	420B-335	(kits include 2 O-rings + 2 Teflon® valve seal tips)	
Closure O-ring - EPR	420E-335	Silicone O-ring	1133S-00
Closure O-ring - Teflon® over Silicone	420T-335	Buna O-ring	1133B-00
Closure O-ring - Teflon® over Viton®	420X-335	EPR O-ring	1133E-00
Closure O-ring - Viton®	420V-335	Teflon® O-ring	1133T-00
Valve Stem Assembly	11300-20	Viton® O-ring	1133V-00



4181 Calle Tesoro • Camarillo, CA 93012  
 (800) 391-9458 • Fax (805) 388-5948  
 International: +1-805-388-9911  
 www.meissner.com