

HS1D-01

Filter Housing

Sanitary, T-style, Single Cartridge, 316L Stainless Steel

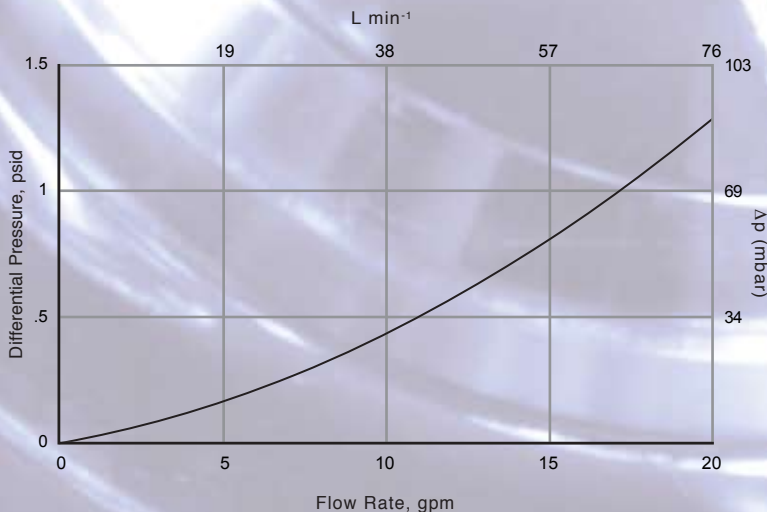
This versatile, single cartridge, sanitary design filter housing is used for the clarification, sterilization, or high-purity filtration of liquids and gases. The housing offers high reliability and security for continuous or point-of-use service, as well as for small and medium batch processing applications.

Design Features

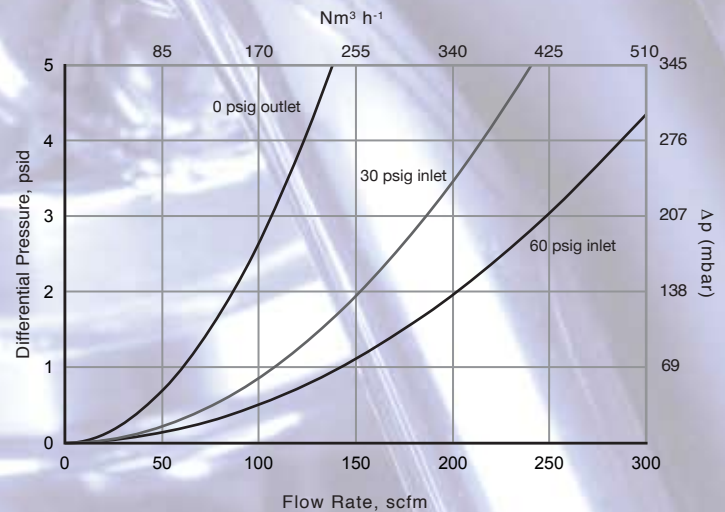
- Accepts one 5", 10", 20", 30" or 40" length cartridge filter
- Flow rates to 20 gpm (76 L min⁻¹) for liquids, or 300 scfm (510 Nm³ h⁻¹) for gases
- Electropolished 316L stainless steel construction gives maximum durability and corrosion resistance
- Quick-release closure clamp allows easy disassembly and fast cartridge filter replacement
- Effective in critical sanitary or high purity service applications
- Smooth, ultraclean surface finish enhances cleanability
- True sanitary design prevents entrapment or build-up of contaminants
- T-type flow configuration with inlet and outlet on the same centerline
- Thermal jacketed bowl available for steam or coolant circulation
- Sanitary vent and drain valves permit easy venting, draining, sampling or integrity testing operations



Water Flow Rates*



Air Flow Rates*



*Graphs are valid for 5", 10", 20", 30" and 40" housings.

Specifications

Materials of Construction

Head & Bowl: 316L stainless steel
 Cast Clamp: 304 stainless steel
 Closure O-ring: Silicone standard*
 Valve Seal Tip: Teflon®
 Valve O-ring: Silicone standard*
 *Buna, EPR, Viton® and Teflon® are optional

Surface Finish

Wetted surfaces are polished to ≤ 25 µin Ra finish. Exterior surfaces are polished to buffed-mirror finish. All surfaces are electropolished.

Service Ratings

Liquid: 250 psig at 70°F (17 bar @ 21°C)
 Air/gas: 125 psig at 70°F (9 bar @ 21°C)

Connections

Inlet/outlet: 1" sanitary flange (SF)
 Jacket Ports: 1/2" (NPT or SF)
 Vent/drain valve: 1/4" hose barb standard

Cartridge Lengths (Nominal)

5", 10", 20", 30", 40" (12, 25, 50, 75, 100 cm)

Cartridge Connections

222 Style: Accepts single-open-ended (SOE) cartridge filter with external, -222 O-ring style adapter. The housing shell will prevent a filter with a closed, fin style end from unseating during use. A filter with a capped, closed end will require an

accessory compression spring to secure it in place.

226 Style: Accepts single-open-ended (SOE) cartridge filter with external -226 O-ring style locking adapter. A bayonet connector engages locking tabs on the adapter and locks filter in position to prevent dislodging during use.

Sterilization

The housing can be inline steam sterilized, autoclaved or hot water sanitized.

Mounting

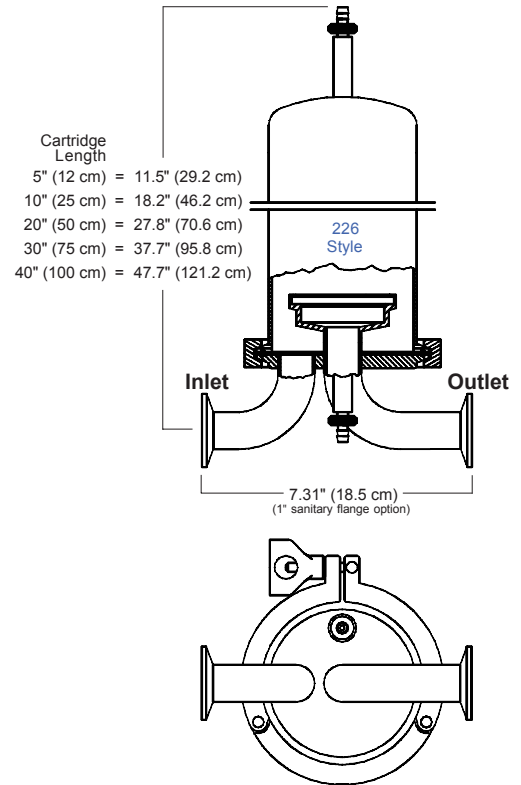
The housing can be mounted in any position and supported by suitably braced, rigid inline tubing connections, or by an accessory housing stand for benchtop use.

Options

In addition to our standard housings, Meissner Filtration Products, Inc. designs and manufactures specially engineered filter housings to meet unique design or process requirements. Variations include, but are not limited to: custom surface finishes to 10 µin Ra, custom connections such as RF flange or other special fittings, custom vent and drain placements, as well as gauge ports. If you need a housing with a unique combination of features, Meissner will custom engineer it to meet your specific requirements. Contact Meissner for details.

Safety

Each Meissner housing is individually inspected, tested and serialized to ensure the highest quality and safety.



Ordering Information

Design	Closure	Thermal Jacket Option	Vent/Drain Option	Element Length	Inlet/Outlet Option	Cartridge Connection	Gasket
HS 1	D	—	—	3	SF	6	S
1 = Standard-Bowl 3 = Bowl w/ 1.5" SF Gauge Port	D = Standard-Cast Clamp E = High Pressure Bolted Clamp	- = Standard-No Jacket 1 = Jacket w/ 1/2" NPT Ports-180° 2 = Jacket w/ 1/2" NPT Ports-360° 3 = Jacket w/ 1/2" SF-180° 4 = Jacket w/ 1/2" SF-360°	- = Standard-1/4" Hose Barb Vent & Drain 0 = No Vent/Drain 1 = Drain Only 2 = Vent Only 3 = 1/2" SF Vent & Drain	1 = 10" 2 = 20" 3 = 30" 4 = 40" 5 = 5"	Sanitary Flange: SF = 1" SH = 1.5" SI = 2" Tube Butt-Weld: BF = 1" 150# RF Flange: FF = 1" FH = 1.5" FI = 2"	2 = 222 Style 6 = 226 Style	S = Silicone B = Buna E = EPR T = Teflon® over Silicone X = Teflon® over Viton® V = Viton®

Replacement Parts & Accessories	Part Number	(cont'd)	Part Number
Compression Spring, SS	19110-00	Valve Seal Kits:	
Closure Gasket - Silicone	4240-HSS	(kits include 2 O-rings + 2 Teflon® valve seal tips)	
Closure Gasket - Buna	4240-HSB	Silicone O-ring	1133S-00
Closure Gasket - EPR	4240-HSE	Buna O-ring	1133B-00
Closure Gasket - Teflon® over Silicone	4240-HST	EPR O-ring	1133E-00
Closure Gasket - Teflon® over Viton®	4240-HSX	Teflon® O-ring	1133T-00
Closure Gasket - Viton®	4240-HSV	Viton® O-ring	1133V-00
Housing Stand, SS	11190-00	Valve Stem Assembly	11300-20



4181 Calle Tesoro • Camarillo, CA 93012
 (800) 391-9458 • Fax (805) 388-5948
 International: +1-805-388-9911

www.meissner.com

SP008-2.1