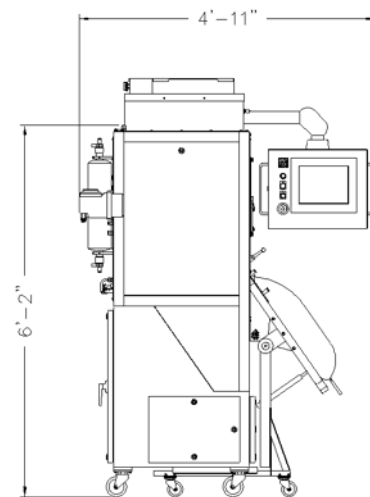
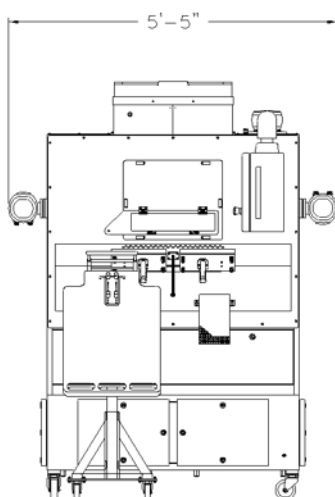


EH50FB - Fills over 1 L

Optional Transfer Table and Swing Arm Control Panel Available – Dimensions and Specifications Subject To Change



Drawings Illustrate Optional Swing Arm Control Panel and Large Bag Transfer Table

SINGLE-USE NON-CONTACT ASEPTIC FILLER VALIDATED ASEPTIC

Technical Specifications:

AC Input Requirements	Single Phase 110VAC, 50/60 Hz, 15A or Single Phase 220VAC, 50/60 Hz, 7.5A
Pneumatic Requirements	Dry, Filtered Air, 90-120 psi, 15 SCFM
Product Filling Pressures	Minimum: 1.4 bar Maximum: 3 bar
Filling Stations	2 Manual - Loading Fill Stations
Suggested Fill Volume Range	1 L - 1000 L +
Filling Accuracy	± 2.5% @ 1 L, ± 1% above 5 L with PDC feed control system
Fill Measurement System	Coriolis Mass Flow Meter with PDC Single-Use Fill Line
Single-Use Fill System	Non Contact Filling using the PDC disposable Fill Line
Fill Times	Variable According to Feed Pressures, Generally 15 L/Min.
Fill Tube Seal System	Radio-Frequency (RF)
Controls	PLC with Embedded Computer, Color Touch Screen
Fill Chamber Materials	304/316 L Stainless Steel
Fill Chamber HEPA	ISO 5 (Class 100) with Positive Pressure Controls
Particle Counting System	Continuous real time particle counting in fill zone
Weight	~ 1,082 lbs Net
Validated Aseptic	Validation Support Available from PDC
CE Mark	CE Marked



PDC Aseptic Filling Systems is wholly owned by Meissner Filtration Products.



1001 Flynn Road • Camarillo, CA 93012 • USA
+1.805.388.9911 • +1.805.388.5948 Fax
www.meissner.com
PDC-07