

Filter Housing

HA1-SFE

Industrial, T-Style, Single-Cartridge, 316L Stainless Steel

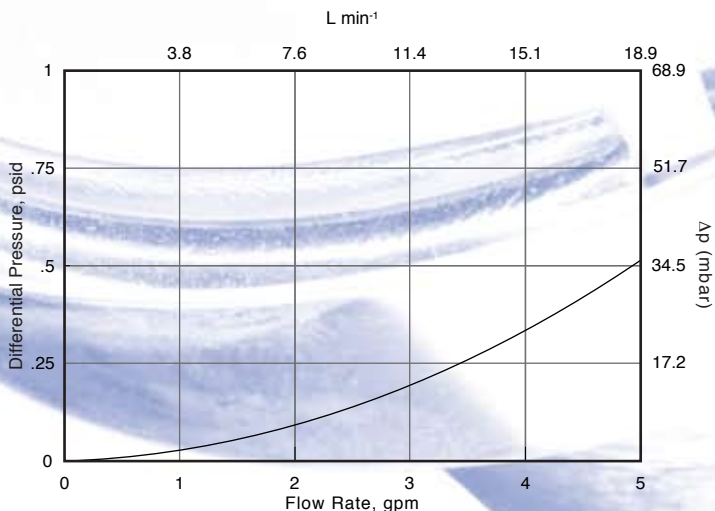
This general purpose filter housing is designed for use in controlling particulate and microbial contamination in liquids and gases. It offers high reliability, security and economy for continuous or point-of-use service, as well as for small batch processing applications.

Design Features

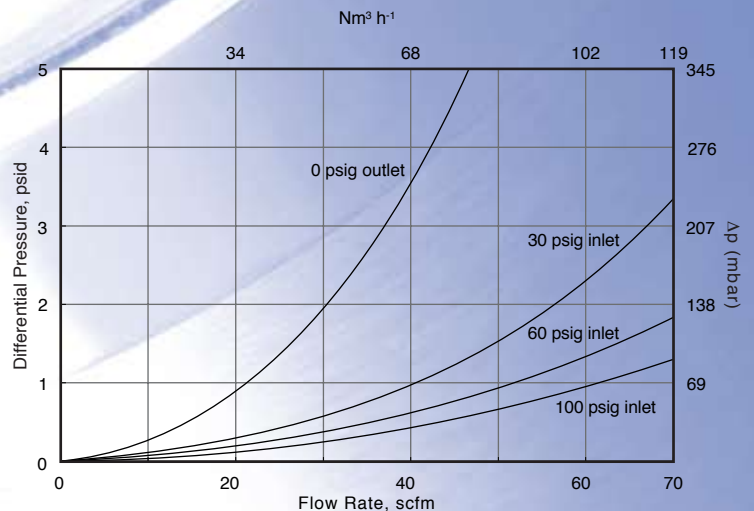
- Accepts one 2.5" or 5" cartridge filter with 2.25" outer diameter
- Flow rates up to 5 gpm (19 L min⁻¹) for liquids or 70 scfm (119 Nm³ h⁻¹) for gases
- Electropolished 316L stainless steel construction provides exceptional durability and corrosion resistance
- Quick-release clamp closure facilitates easy disassembly and fast cartridge filter replacement
- Effective in a broad array of process applications
- All sealing surfaces on investment cast head are machined and finished to exacting tolerances
- Upstream and downstream ports enable venting, draining, sampling or pressure gauge placement
- Compact design conserves space and minimizes liquid hold-up volume
- Can be inline steam sterilized, autoclaved or hot water sanitized



Water Flow Rates



Air Flow Rates



Graphs are valid for 2.5" and 5" housings

Specifications

Materials of Construction

Head & Bowl: 316L stainless steel
 V-band Clamp: Stainless steel with plastic knob and brass insert
 Closure O-ring: EPR standard; Buna, Silicone, Viton® and Teflon® are optional

Surface Finish

All surfaces are electropolished to a high quality finish.

Service Ratings

Liquid: 250 psig @ 70°F (17 bar @ 21°C)
 Air/gas: 125 psig @ 70°F (9 bar @ 21°C)

Connections

Inlet/outlet: 1/2" NPT
 Vents/drain: 1/4" NPT

Cartridge Length (Nominal)

2.5" or 5" (6 cm or 12 cm)

Cartridge Connections

Accepts single-open-ended (SOE) cartridge filter having a 2.25" (5,7 cm) outer diameter and fitted with an internal, -116 O-ring adapter. The cartridge filter seals against an

outlet post in the housing head and is secured in place when the housing is fully assembled.

Mounting

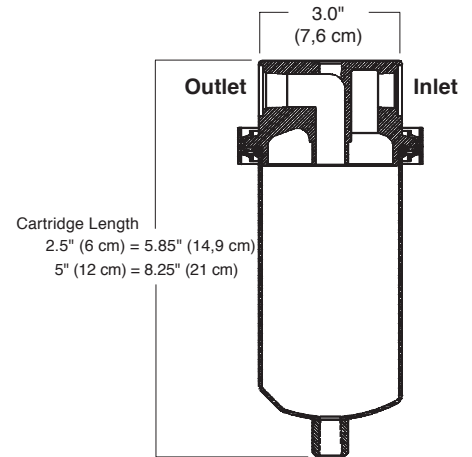
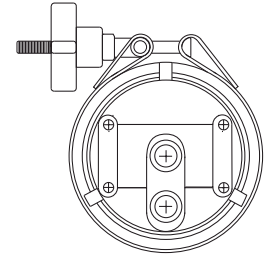
The housing can be mounted in any position and supported on suitably braced, rigid pipe connections. An accessory wall mounting bracket is available for use in flexible tubing installations.

Options

In addition to our standard housings, Meissner Filtration Products, Inc. designs and manufactures specially engineered filter housings to meet unique design or process requirements. Variations include, but are not limited to: thermal jacketing, customized inlet/outlet connections or other specialty connection types and sizes. If you need a housing with a unique combination of features, Meissner will custom engineer it to meet your specific requirements. Contact us for details.

Safety

Each Meissner housing is individually inspected, tested and serialized to ensure the highest quality and safety.



Ordering Information

HA1	Closure		Element Length		Inlet/Outlet Option		Closure O-ring
	A	-	5P	- 0	TD	1	E
	A = Standard-V-band Clamp E = High Pressure Bolted Clamp		2P = 2.5" 5P = 5"		Threaded (NPT) TD = 1/2" 150# RF Flange FD = 1/2" FF = 1"		E = EPR B = Buna S = Silicone T = Teflon® over Silicone X = Teflon® over Viton® V = Viton®

Replacement Parts & Accessories	Part Number	(cont'd)	Part Number
Housing Clamp, V-band	19130-10	Closure O-ring - Buna	420B-335
Housing Clamp, High Pressure, SS	19135-00	Closure O-ring - Silicone	420S-335
Vent/drain Plug, SS	10510-10	Closure O-ring - Teflon® over Silicone	420T-335
Mounting Bracket Kit, SS	19310-00	Closure O-ring - Teflon® over Viton®	420X-335
Closure O-ring - EPR	420E-335	Closure O-ring - Viton®	420V-335



4181 Calle Tesoro • Camarillo, CA 93012
 (800) 391-9458 • Fax (805) 388-5948
 International: +1-805-388-9911
 www.meissner.com