

Filter Housing

HA1-01

Industrial, T-Style, Single-Cartridge, 316L Stainless Steel

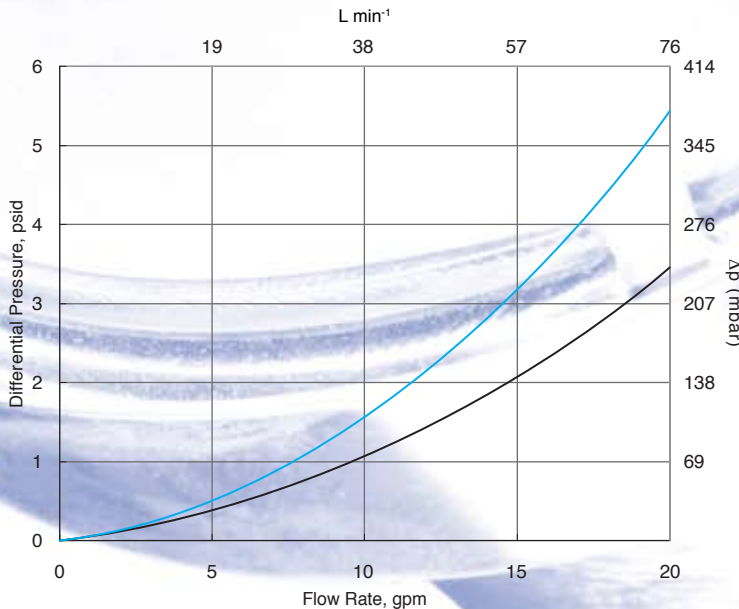
This general purpose, single-cartridge filter housing is designed for controlling particulate and microbial contamination in liquids and gases. It offers high reliability, security and economy for continuous or point-of-use service, as well as for small and medium batch processing applications.

Design Features

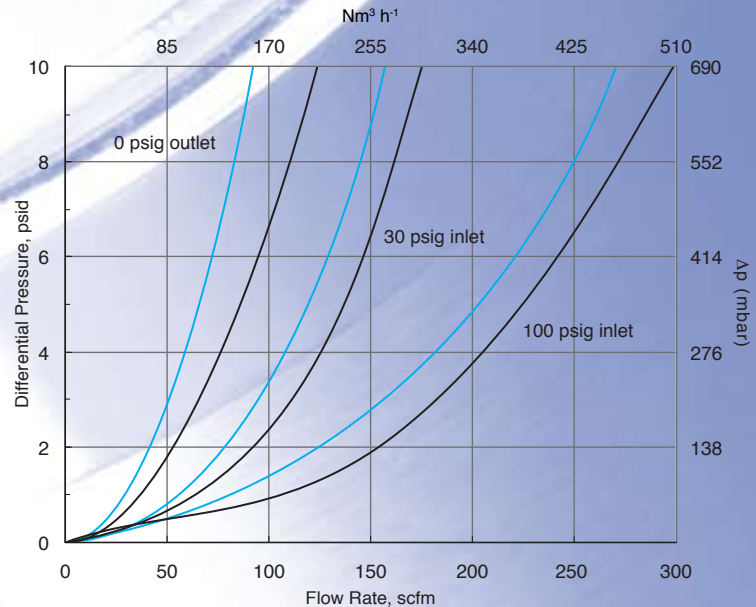
- Accepts one 5", 10", 20", 30" or 40" cartridge filter
- Flow rates to 20 gpm (76 L min⁻¹) for liquids, or 300 scfm (510 Nm³ h⁻¹) for gases
- Electropolished 316L stainless steel construction gives maximum durability and corrosion resistance
- Quick-release closure clamp allows easy disassembly and fast cartridge filter replacement
- Effective in a wide range of process applications
- Three configurations available to fit many cartridge filter styles
- Sealing surfaces on investment cast head are machined and finished to exacting tolerances
- Upstream and downstream ports permit venting, draining, sampling or pressure gauge placement



Water Flow Rates



Air Flow Rates



Specifications

Materials of Construction

- Head & Bowl: 316L stainless steel
- V-band Clamp: Stainless steel with plastic knob and brass insert
- Closure O-ring: EPR standard*
- DOE Seal Nut: Polypropylene with 316 stainless steel insert
- DOE Guide Post: Polypropylene with EPR O-ring standard*

*Buna, silicone, Viton® and Teflon® are optional

Surface Finish

All surfaces are electropolished to a high quality finish.

Service Ratings

- Liquid: 250 psig @ 70° F (17 bar @ 21° C)
- Air/gas: 125 psig @ 70° F (9 bar @ 21° C)

Connections

- Inlet/outlet: 3/4" or 1" NPT
- Vents/drain: 1/4" NPT

Cartridge Lengths (Nominal)

- 222/DOE: 10", 20", 30" or 40"
(25 cm, 50 cm, 75 cm or 100 cm)
- 226: 5", 10", 20", 30" or 40"
(12 cm, 25 cm, 50 cm, 75 cm or 100 cm)

Cartridge Connections

222 Style: Accepts single-open-ended (SOE) 10", 20", 30" or 40" cartridge filter with external, -222 O-ring style adapter. Housing shell is designed to prevent filter with closed fin end

from unseating during use. To secure filter with closed cap end in place, an accessory compression spring is required.

226 Style: Accepts single-open-ended (SOE) 5", 10", 20", 30" or 40" cartridge filter with external, -226 O-ring style locking adapter. A bayonet connector engages locking tabs on adapter and locks filter in position to prevent dislodging during use.

DOE Style: Accepts double-open-ended (DOE) 10", 20", 30" or 40" cartridge filter with knife edge or gasket seal ends. Filter is aligned within the housing by a tie rod and secured in place by a seal nut before closure.

Mounting

The housing can be mounted in any position and supported on suitably braced, rigid pipe connections. An accessory wall mounting bracket is available for use in flexible tubing installations.

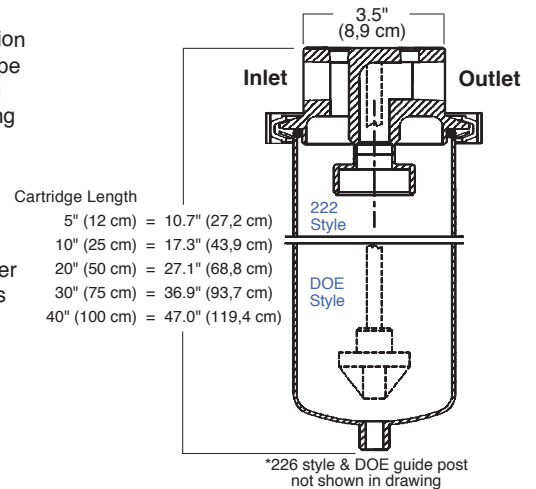
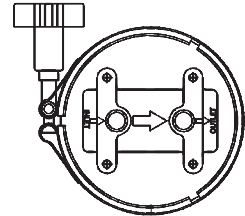
Options

In addition to our standard housings, Meissner Filtration Products, Inc. designs and manufactures specially engineered filter housings to meet unique design or process requirements. Variations include, but are not limited to: thermal jacketing, customized inlet/outlet connections such as sanitary flange, RF flange or other specialty connection types and sizes. If you need a housing with a unique combination of features, Meissner will

custom engineer it to meet your specific requirements. Contact us for details.

Safety

Each Meissner housing is individually inspected, tested and serialized to ensure the highest quality and safety.



Ordering Information

HA1	Closure	- 01 -	Element Length	Inlet/Outlet Option	Cartridge Connection	Closure O-ring		
	A		1	TE	2	E		
A = Standard-V-band Clamp D = Cast Clamp E = High Pressure Bolted Clamp		1 = 10" 2 = 20" 3 = 30" 4 = 40" 5 = 5"		Sanitary Flange SF = 1" Threaded (NPT) TE = 3/4" TF = 1" 150# RF Flange FF = 1" FH = 1.5" FI = 2"		2 = 222 Style 6 = 226 Style R = DOE with tie rod & seal nut		E = EPR B = Buna S = Silicone T = Teflon® over Silicone X = Teflon® over Viton® V = Viton®

Replacement Parts & Accessories	Part Number	(cont'd)	Part Number
Housing Clamp, V-band	19140-10	DOE Seal Nut, SS	10466-10
Housing Clamp, Cast, SS	19040-10	DOE Guide Post, PP	10470-00
Housing Clamp, High Pressure, SS	19145-00	DOE Guide Post O-ring, EPR	4200-C2E
Closure O-ring - EPR	420E-343	DOE Guide Post O-ring, Buna	4200-C2B
Closure O-ring - Buna	420B-343	DOE Guide Post O-ring, Silicone	4200-C2S
Closure O-ring - Silicone	420S-343	DOE Guide Post O-ring, Viton®	4200-C2V
Closure O-ring - Viton®	420V-343	DOE Guide Post O-ring, Teflon® over Viton®	4200-C2X
Closure O-ring - Teflon® over Viton®	420X-343	Mounting Bracket Kit, SS	19300-00
Closure O-ring - Teflon® over Silicone®	420T-343	Compression Spring, SS	19110-00
DOE Seal Nut, PP	10483-00		



4181 Calle Tesoro • Camarillo, CA 93012
 (800) 391-9458 • Fax (805) 388-5948
 International: +1-805-388-9911
 www.meissner.com