

Filter Holder

47 mm

Sanitary, Vented, 316L Stainless Steel

This innovative filter disc holder is designed for use in the clarification, sterilization and high purity filtration of liquids and gases. The vented, sanitary holder ensures the utmost reliability and reproducibility of filtration results in validation and scale-up studies, research and development, and general laboratory applications.

Design Features and Benefits

- True sanitary design and smooth, ultraclean surface finish enhance cleanability
 - Electropolished 316L stainless steel construction provides excellent durability and maximum corrosion resistance
 - Clamp closure permits easy hand tightening of the filter holder
 - Can be serially manifolded with similar filter holders
 - Quick-release closure clamp speeds filter disc replacement and disassembly, and prevents filter distortion or breakage
 - Bi-directional, PTFE-coated support screens securely support filter in forward or reverse flow conditions; prevent filter distortion or breakage; permit easy removal of filter after use; prevent filter from sticking to screens; provide security and reliability of result; allow filtration in either direction; protect against filter damage due to back (reverse) pressure surges
 - Tapered body design minimizes fluid hold-up volume
 - Non-threaded connections prevent entrapment of contaminants
 - Sanitary vent valve facilitates draining, venting, integrity testing and sampling
- Holder can be inline steam sterilized, autoclaved or hot water sanitized with filter in place



Typical Applications

- Particulate and Microbial Filtration
- Filter Validation Studies
- Fluid Sampling
- Aseptic Sampling of Fluids
- POU Filtration on Filling Machines
- Microbial Challenge Testing
- Carboy Vents
- Contamination Analysis
- Filterability Testing
- Process Scale-Up Studies

Specifications

Materials of Construction

Filter Holder: 316L stainless steel
 Cast Clamp: 304 stainless steel
 Support Screens: PTFE coated 316L stainless steel
 Support Pedestal: 316L stainless steel
 Closure O-rings: Silicone, Buna, EPR, Viton® or Teflon®
 Vent Seal Tip: Teflon®
 Vent O-ring: Silicone, Buna, EPR, Viton® or Teflon®

Surface Finish

Wetted surfaces are polished to $\leq 25 \mu\text{in Ra}$ finish; exterior surfaces are polished to a buffed-mirror finish. All surfaces are electropolished.

Maximum Operating Pressure

150 psig @ 70°F (10 bar @ 21 °C)

Connections

Inlet/Outlet: 3/4" sanitary flange
 Vent Valve: 1/4" hose barb

Filter Disc Size

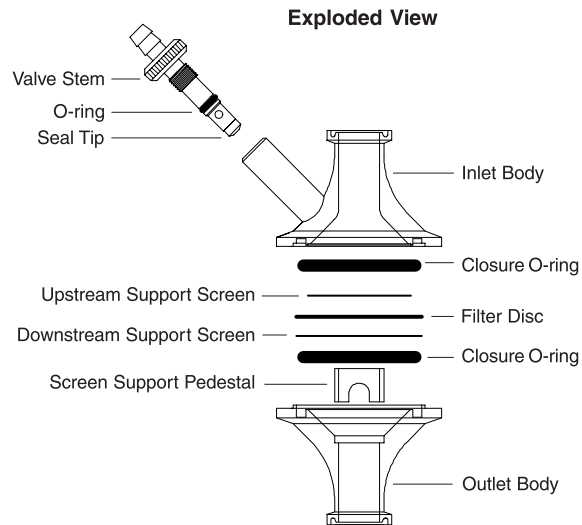
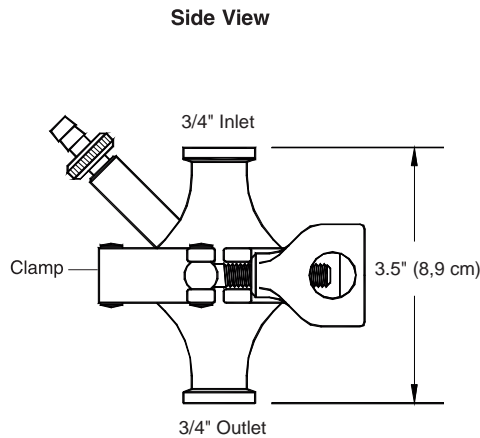
47 mm

Effective Filtration Area

12.4 cm² (1.92 in²)

Sterilization

Holder can be inline steam sterilized, autoclaved or hot water sanitized with filter disc in place.



Ordering Information

Description	Part Number
Vented Sanitary 47mm Inline Filter Holder, Buna O-rings	DH1-047-10B
Vented Sanitary 47mm Inline Filter Holder, EPR O-rings	DH1-047-10E
Vented Sanitary 47mm Inline Filter Holder, Silicone O-rings	DH1-047-10S
Vented Sanitary 47mm Inline Filter Holder, Teflon® O-rings	DH1-047-10T
Vented Sanitary 47mm Inline Filter Holder, Viton® O-rings	DH1-047-10V

Replacement Parts	Part Number
Inlet body with vent valve	22200-50
Outlet body	22100-30
Vent valve stem	11300-20
Clamp, 2"	19020-10
Upstream support screen, PTFE coated	22250-20
Upstream support screen, uncoated	22250-00
Downstream support screen, PTFE coated	22275-20
Downstream support screen, uncoated	22275-00
Downstream support pedestal	22300-20
Closure O-ring, Buna, 2/pkg.	DH1-223B
Closure O-ring, EPR, 2/pkg.	DH1-223E
Closure O-ring, Silicone, 2/pkg.	DH1-223S
Closure O-ring, PTFE encapsulated, 2/pkg.	DH1-223T
Closure O-ring, Viton®, 2/pkg.	DH1-223V

Replacement Parts (continued)	Part Number
<i>Valve seal kits include 2 O-rings and 2 valve seal tips per kit:</i>	
Valve seal kit, Buna	1133B-00
Valve seal kit, EPR	1133E-00
Valve seal kit, Silicone	1133S-00
Valve seal kit, PTFE	1133T-00
Valve seal kit, Viton®	1133V-00

Accessories	Part Number
3/4" Sanitary clamp	19007-10
Adapter, 3/4" sanitary flange to 1/4" hose barb	22410-20
3/4" Sanitary gasket, Buna	4207-HSB
3/4" Sanitary gasket, EPR	4207-HSE
3/4" Sanitary gasket, Silicone	4207-HSS
3/4" Sanitary gasket, PTFE	4207-HST
3/4" Sanitary gasket, Viton®	4207-HSV



4181 Calle Tesoro • Camarillo, CA 93012
 (800) 391-9458 • Fax (805) 388-5948
 International: +1-805-388-9911

www.meissner.com