

SKR

Filter Housing

Sanitary, Inline, Single Cartridge, 316L Stainless Steel

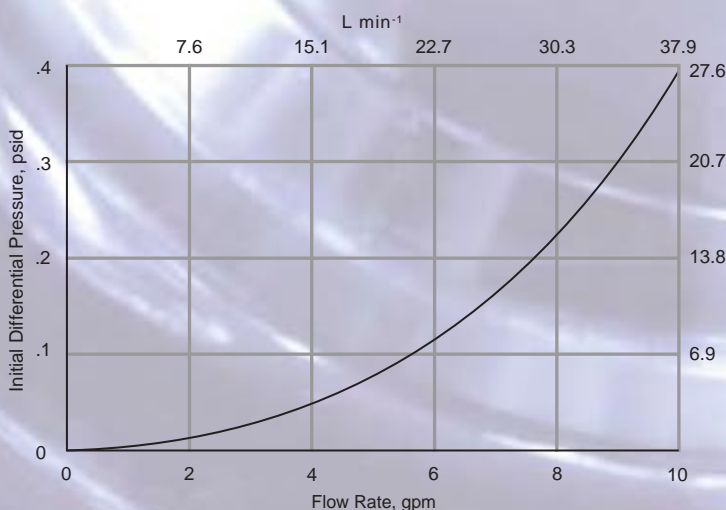
This sanitary filter housing is used for the clarification, sterilization and high purity filtration of liquids and gases, including fermentor air and tank venting. The housing is designed to accept an SKR-style filter cartridge, which utilizes a unique flange sealing mechanism to prevent fluid by-pass downstream of the filter. This sealing mechanism offers the highest reliability and security for continuous, point-of-use or small batch processing applications.

Design Features

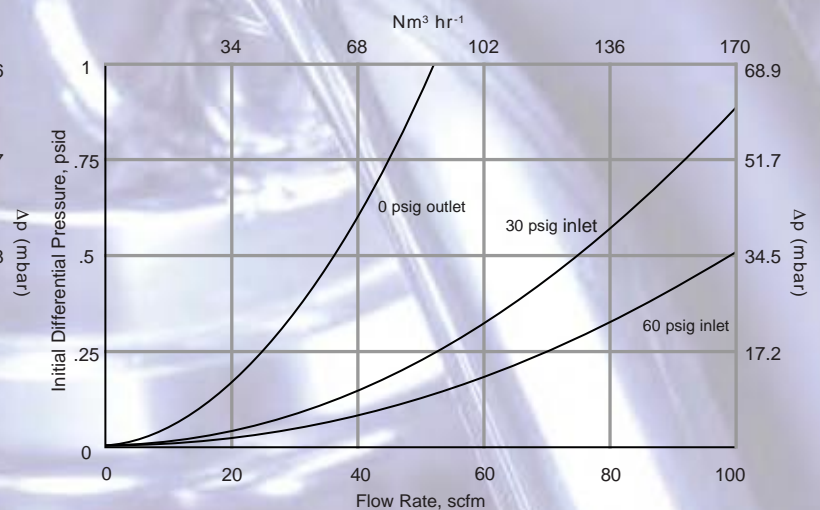
- Accepts one 2.5" or 5" SKR filter cartridge or competitive flange-seal filter cartridge
- Flow rates to 8 gpm (30 L min⁻¹) for liquids, or 80 scfm (136 Nm³ hr⁻¹) for gases
- Quick-release clamp closure allows easy disassembly and fast filter replacement
- Minimal fluid hold-up volume
- Completely electropolished 316L stainless steel construction provides maximum durability and corrosion resistance
- True sanitary design prevents entrapment or build-up of contaminants
- Standard hose barb or optional sanitary flange vent and drain permit easy venting, draining, sampling or integrity testing operations



Water Flow Rates*



Air Flow Rates*



Specifications

Materials of Construction

Head & Bowl: 316L stainless steel
 Cast Clamp: 304 stainless steel
 Closure O-ring: Silicone standard*
 Valve Seal Tip: Teflon®
 Valve O-ring: Silicone standard*
 *Buna, EPR, Viton® or Teflon® are optional

Surface Finish

Wetted surfaces are polished to ≤ 25 µin Ra finish. Exterior surfaces are polished to buffed-mirror finish. All surfaces are electropolished.

Service Ratings

Liquid: 250 psig at 70°F (17 bar @ 21°C)
 Air/gas: 125 psig at 70°F (9 bar @ 21°C)

Connections

Inlet/Outlet: 1.5" sanitary flange (SF)
 Vent/Drain Valve: 1/4" hose barb standard

Cartridge Length (Nominal)

2.5" or 5" (6 cm or 13 cm)

Cartridge Connections

Accepts single-open-ended (SOE) cartridge filter having a 2.25" (5,7 cm) outer diameter and fitted with a

sanitary flange-style adapter. The cartridge filter is secured in place when the housing is fully assembled.

Sterilization

The housing can be inline steam sterilized, autoclaved or hot water sanitized.

Mounting

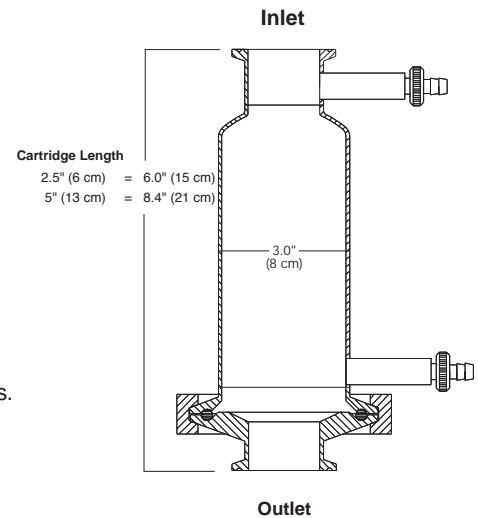
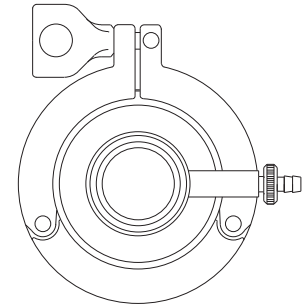
The housing can be mounted and supported on suitably braced, rigid, inline pipe connections.

Options

In addition to our standard housings, Meissner Filtration Products, Inc. designs and manufactures specially engineered filter housings to meet unique design or process requirements. Variations include, but are not limited to: thermal jacket options, custom surface finishes to 10 µin Ra, custom connections such as RF flange or other special fittings, and custom vent and drain placements. If you need a housing with a unique combination of features, Meissner will custom engineer it to meet your specific requirements. Contact us for more details.

Safety

Each Meissner housing is individually inspected, tested and serialized to ensure the highest quality and safety.



Ordering Information

HS2D —	Element Length	Vent/Drain Option	OSH4	Closure O-ring
	2P	—		S
	2P = 2.5" (6 cm) 5P = 5" (13 cm)	- = Standard-Vent & Drain 0 = No Vent/Drain 3 = 1/2" SF Vent & Drain		S = Silicone B = Buna E = EPR V = Viton® X = Teflon® envelope

Replacement Parts & Accessories	Part Number	(continued)	Part Number
Closure O-ring - Silicone	420S-335	Valve Seal Kits: 2 O-rings + 2 Teflon® valve seal tips	
Closure O-ring - Buna	420B-335	Buna O-ring	1133B-00
Closure O-ring - EPR	420E-335	EPR O-ring	1133E-00
Closure O-ring - Teflon® envelope	420X-335	Silicone O-ring	1133S-00
Closure O-ring - Viton®	420V-335	Teflon® O-ring	1133T-00
Valve Stem, Stainless Steel	11300-20	Viton® O-ring	1133V-00



4181 Calle Tesoro • Camarillo, CA 93012
 (800) 391-9458 • Fax (805) 388-5948
 International: +1-805-388-9911
 www.meissner.com